

Contractor Information

Tiger Claw has significant advantages over other hidden deck fasteners when considering ease of installation, hold-down power, cost and customer satisfaction. Tiger Claw Hidden Deck Fasteners are a unique patented product that gives your deck a beautiful nail free surface that will sell itself!

Features

- Very user friendly
- Patented heavy-gauge claws grab inside edges of boards
- Creates a better looking deck by creating a nail-free surface

Benefits

- Cuts down installation time and maximizes profits
- Increases life expectancy and appearance of deck
- Increases customer satisfaction, repeat business and referrals

All of Tiger Claw's outstanding characteristics make for a better looking, longer lasting, safer deck than the average homeowner could previously afford. When comparing estimated costs for a 200 sq-ft deck using stainless steel screws vs. Tiger Claw fasteners, there is only an 8% increase in product cost, but you can save over 20% in labor costs and the result is priceless.



Sales Support:
1-866-DECK-SALE (332-5725)

Quick to Install

Tiger Claw's patented fasteners, designed for simple "topside" installation, saves on time and excessive labor costs when compared to other hidden fasteners and allows you to build a professional deck that will speak for itself in quality and appearance.

Strong and Durable

Tiger Claw's unique fasteners are constructed from hardened heavy gauge stainless steel or steel with a non-corrosive coating, offering outstanding hold-down power.

Beautiful Finish

Tiger Claw's fasteners create a smooth "nail free" surface that preserves the beauty of the decking material. Tiger Claw also reduces splitting, splintering, cupping and rotting caused by nails and screws. The minimal extra effort is worth every minute, when the result is a long-lasting, beautifully finished deck.

"It was a very professional look upon completion. The Tiger Claw fasteners were so easy to install... The boards were nice and evenly spaced all the way across."

- Dave D. of Nevada

"...once I got comfortable using the fasteners, the project went very quickly and became quite simple."

- Jim M. of Alabama

Custom designs available for custom and commercial jobs. Visit us online for more info or visit your lumberyard to buy today.

You could win a free supply of Tiger Claw fasteners for your next project, find out how at www.deckfastener.com

Frequently Asked Questions

How do Tiger Claw Hidden Deck Fasteners work?

The Tiger Claw Hidden Deck Fastener is a fastener used to attach decking to framing in such a way that no fastener is visible. This is in contrast to the common practice of using screws or nails fastening throughout the top of decking boards. Tiger Claw's patented design securely attaches decking boards by holding the edge of the decking board. The fastener is then attached to the support with a common decking screw. This design makes Tiger Claw fasteners very easy and quick to install.

What is the life expectancy of the TC fastener?

The Tiger Claw fasteners are all premium high nickel stainless steel and will typically outlast the decking.

Are the fasteners visible?

All Tiger Claw fasteners have a black oxide coating. This black coating helps the fasteners hide in the shadow of the joists, and makes the fastener virtually invisible.

How can I get samples and literature?

We would be happy to send you a free sample box and literature to review. Simply email your request to tigerclaw@deckfastener.com or call toll-free 1-800-92-TIGER.

TigerClaw
Hidden Deck Fasteners

Quality you can't see!



Tiger Claw, Inc. 400 Middle Street, Bristol, CT 06010
(800) 92-TIGER www.deckfastener.com tigerclaw@deckfastener.com
Copyright © 2003, Tiger Claw, Inc. All rights reserved.

HIDDEN DECK FASTENERS

www.deckfastener.com
800-92-TIGER



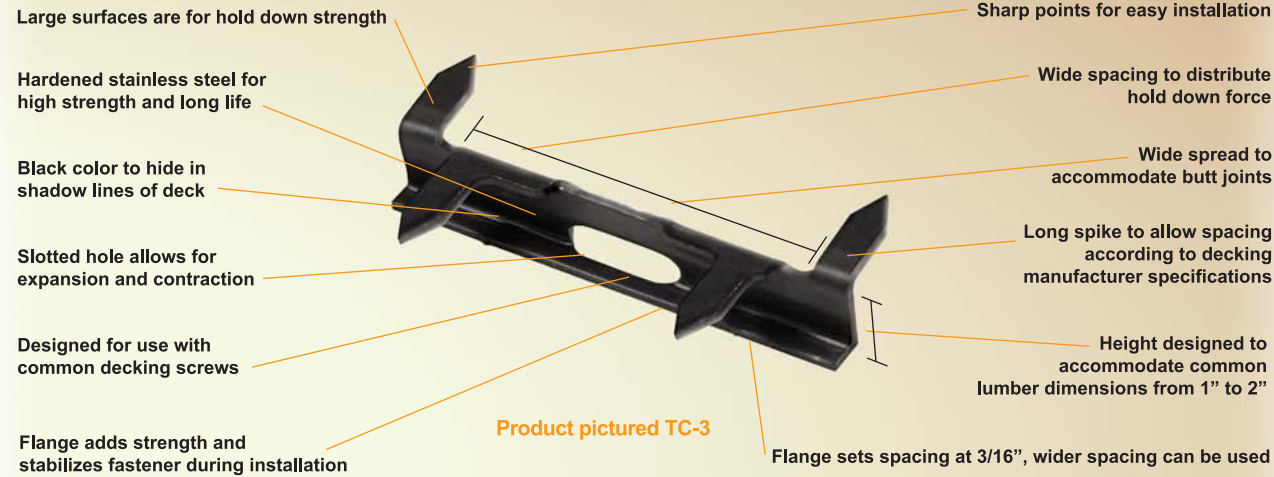
Simply drive Tiger Claw into decking edge using installation block provided.



Install decking screw through Tiger Claw fastener, securing it to the support.



Set next course of decking by driving onto "claws" with long handle sledge hammer.



Comparing Tiger Claw to Nails and Screws	Tiger Claw	Nails	Screws
Reduces Splitting and Splinters	✓	No	No
Reduces Board Cupping	✓	No	No
Reduces Rot	✓	No	No
Excellent Hold Down Power	✓	No	Yes
Increases Deck Life	✓	No	No
Virtually Invisible	✓	No	No
Professional Appearance	✓	No	No
Corrosion resistance	✓	No	No
No expensive tools to rent or buy	✓	No	No

Comparison

Tiger Claw is the only hidden deck fastener to have all of these advantages:

- Great holding power
- Fast installation
- Less visible color
- Hidden from below
- No special tools
- Installs from above deck

All of these nail and screw hazards reduce the quality, appearance and life of the wood. Tiger Claw reduces these problems and delivers a professional, beautiful, longer lasting deck and a longer lasting impression on your work.



Nail Crack/Splits

Wood will split and splinter around screws or nails during insertion as well as in expansion and contraction from the elements.



Nail Pop

Wood naturally expands and contracts. This unavoidable fact often lifts nails which can be dangerous as well as unsightly.



Wood Rot

Nails and screws penetrating the decking surface creates pockets for water to accumulate. This encourages rot and unsightly stains.



Mushrooming

Screwing into composite material often raises the material and leaves unsightly mushroom effect.

Fasteners

Tiger Claw Hidden Deck Fasteners' unique patented design produces a smooth "nail free" surface to emphasize the beauty of the decking. Constructed from heavy gauge stainless steel, the Tiger Claw hidden deck fastener offers outstanding hold-down power.

TC-2 Softwood Deck Fastener

Pressure-Treated, Cedar and Redwood



Heavy gauge stainless steel fastener for use in 5/4" or thicker softwood decking.

TC-3 Composite Deck Fastener

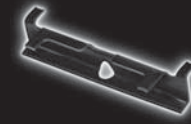
Composite or Medium Density Hardwoods



Hardened heavy gauge stainless steel fastener for use in 5/4" or thicker composite decking.

TC-4 Hardwood Deck Fastener

Exotic Hardwoods



Stainless steel fastener for use in 3/4" or thicker hardwood decking.

TC-P Cellular PVC Deck Fastener

For Cellular PVC Decking Materials



Hardened stainless steel fastener for 5/4" or thicker Cellular PVC decking.

Our product line continues to expand. Visit us online or call us to find out about new products.