



TimberLOK®

HEAVY DUTY WOOD SCREW & RAFTER/TRUSS TO TOP PLATE CONNECTION

FEATURES

- No predrilling
- Faster and easier than 3/8" lag screws
- Countersinking head style
- Guaranteed corrosion resistance. ACQ approved
- IBC/IRC code compliant. ESR #1078
- Free bit in every package
- Made in USA

LENGTHS: 2 1/2", 4", 6", 8", 10"

PACKAGING QUANTITIES

12 pc clamshell, 50 pc box, 250 pc bucket
500 pc bucket (2 1/2" only)

DESCRIPTION

TimberLOK is a heavy duty wood screw available in a variety of lengths and packaging sizes for applications such as attaching rafter or trusses to the top plate, landscape timbers, fences, decks, headers, stair stringers and more.

MEET CODE. LOWER COST.

The 6" TimberLOK is used by professional contractors nationwide to meet code and lower costs for rafter and truss to top plate connections.

Meet Code: Tested and proven to meet 2012 IRC requirements for rafter and truss to top plate connections in most applications.
Lower Cost: Requires no predrilling, saving time and labor.



INSTALLATION PROCEDURE

TimberLOK should be installed using a high torque, 1/2" variable speed drill (18V if cordless). Choose the proper length so that threads fully engage the main member or bottom piece. Bring washer head flush to wood surface or countersink head flush.

For **rafter or truss to top plate applications**, the 6" TimberLOK is easily installed at a 15-30° angle. For detailed installation instructions, including fastening requirements, please refer to our **Rafter or Truss to Top Plate technical bulletins**.

These instructions are included in all box and bucket packaging as well as being available for download from our website.

A design professional should be consulted for all other critical connections, to include the number and location of all fasteners to meet national and local code requirements.

GUARANTEED CORROSION RESISTANCE

TimberLOK is guaranteed not to rust, streak or corrode for the life of the project. The coating on this fastener has been tested in wood treatment chemicals, such as ACQ, and found to provide equivalent protection to code-approved hot-dipped galvanized coatings.

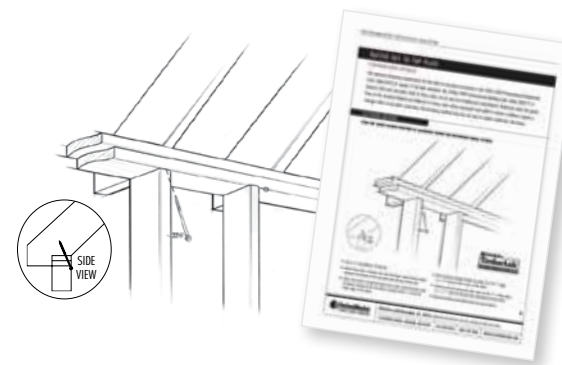
TimberLOK is not recommended for use in saltwater applications (within 1,000 ft).

TimberLOK SKU Selection Guide

LENGTH	TYPICAL APPLICATIONS	PACKAGING QTY	SKU
2 1/2"	Doubling/sistering up 2x header or carrying beams	12 pc clamshell	FMTLOK212-12
		50 pc box	FMTLOK212-50
		500 pc bucket	FMTLOK212-500
4"	Attaching 2x to 4x structures - fencing	12 pc clamshell	FMTLOK04-12
		50 pc box	FMTLOK04-50
		250 pc bucket	FMTLOK04-250
6"	Replacing hurricane ties on rafters or trusses. Joining multiple 4x timbers	12 pc clamshell	FMTLOK06-12
		50 pc box	FMTLOK06-50
		250 pc bucket	FMTLOK06-250
8"	Building up 6x landscape walls	12 pc clamshell	FMTLOK08-12
		50 pc box	FMTLOK08-50
		250 pc bucket	FMTLOK08-250
10"	Post and Beam construction	12 pc clamshell	FMTLOK10-12
		50 pc box	FMTLOK10-50
		250 pc box	FMTLOK10-250

For additional technical data and applications, refer to pages 41 and 42 of this catalog

ADDITIONAL RESOURCES



FastenMaster Technical Bulletins

Our **Rafter to Top Plate and Truss to Top Plate technical bulletins**, which include detailed installation instructions, fastening requirements and design loads, are available for download from our website.



Ask the FastenMaster Installation Video

Our Ask the FastenMaster video series includes installation information for many of our products, including our **TimberLOK Rafter Tail or Truss to Top Plate Connection video**. These can be viewed on our website.



For technical support or to place an order: 800.518.3569 or www.FastenMaster.com