



boardbeardboardbeardboard **nantucket®**







Make sure it's Nantucket® BeadBoard

Precision is what sets Nantucket® BeadBoard apart; precision is the reason why we're the leader in beadboard manufacture. Our origins in cabinetmaking have much to do with this precision – in fact, we still maintain a custom cabinet shop, where we continue to hone our artistry. We've also invested in unique, state-of-the-art milling equipment – a hallmark of our production since we began. The difference this makes in our products is immediately apparent: you'll know it by the depth and accuracy of our bead profiles.

Ultimately, the Nantucket® BeadBoard difference is philosophical. We're not salesmen, creating product for no other purpose than to fulfill a bottom line. We're craftsmen, determined to produce a high-end building material that will not only satisfy customers, but ourselves. We're proud of our beadboard products and confident that when you install Nantucket® BeadBoard, you will be too.

Inspired by the classic look of tongue and groove paneling, Nantucket® BeadBoard is a simple way to give your home an elegant finish. Though its style is classic, Nantucket® BeadBoard is fully modern, too: it's eco-friendly, stable, and versatile. Our beadboard is available in both sheet and strip form, either unfinished or primed. And since taste is individual, we offer a subtle variety of bead profiles.

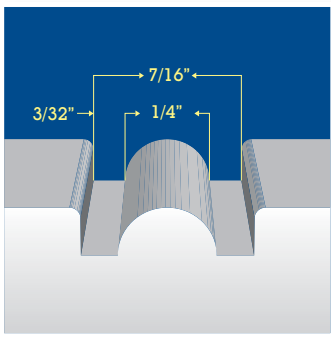
Whatever your building project, there is a Nantucket® BeadBoard product that's right for you – and we've made choosing the right beadboard for your project a simple process.

- Choose a profile that compliments your design and décor.
- Select a substrate that suits your application, whether interior, exterior, residential, or commercial. Consider any special requirements: will your beadboard be subject to the humidity of a bathroom or basement?
- Determine which is right for your project: sheets or strips?
- Select a material size that offers the most coverage with the least waste. We have no minimum order policy.
- If, along the way, you need assistance, please contact us. We're here to help.

Stock Bead Profiles

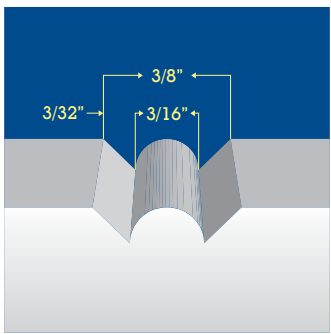
A savvy consumer knows that subtle differences matter. All dress shirts, for example, are not alike; the choice you make about collars, cuffs, and cut projects the taste of the wearer. This maxim absolutely applies to the bead profile – the distinctive groove cut into each Nantucket® BeadBoard product – you choose for your building project.

Your bead profile should reflect your individual taste, which is why we offer a variety of unique stock profiles. Combined with a wide variety of center patterns and substrates, you can create the perfect beadboard solution.



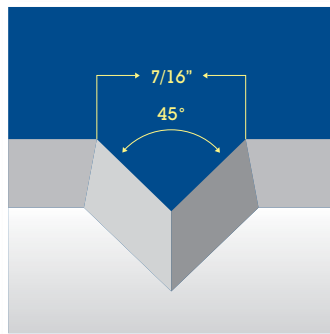
Standard Bead

The Standard Bead is our modern interpretation of the traditional pattern created by tongue and groove paneling. This bead profile presents a pronounced shadow line that remains crisp – even under many coats of paint. Nantucket® BeadBoard began with this profile back in 1992, and it remains our signature profile.



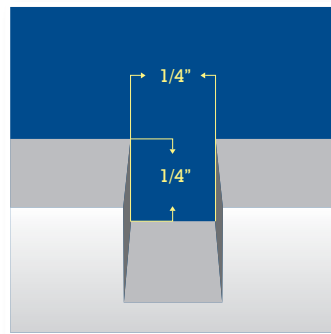
V-Bead

The V-Bead replicates the classic look of tongue and groove paneling, making this bead profile the obvious choice for restorative projects, but also perfectly for new construction that calls for old-world elegance.



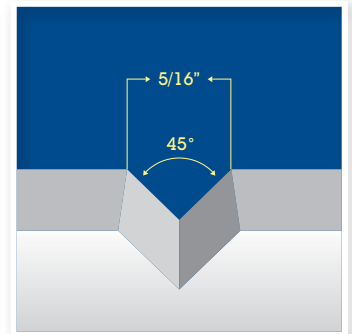
V-Groove

Another classic bead profile, the V-Groove is modeled after an old mill pattern that – as with all our classic patterns – works perfectly in contemporary building projects.



Channel Bead

The Channel Bead exemplifies the elegance of simplicity; this clean profile offers builders modern style from a modern product.



Mini V-Groove

The Mini V-Groove is a subtle variation on the V-Groove profile, featuring narrower grooves for a truly refined appearance.

Stock Substrates

A substrate is like a sculptor's stone; it's the basis for your finished Nantucket® BeadBoard product. And so, it's very important to carefully select a substrate that satisfies the requirements of your building project.

When choosing a substrate, consider where your beadboard will be used: if it will be exposed to excessive moisture (such as in a bathroom), if it will be indoors or out, or if it will be used for a ceiling or wall application. And remember: all of our substrates are durable, stable, and can be delivered to you either unfinished or primed – saving you valuable construction time.

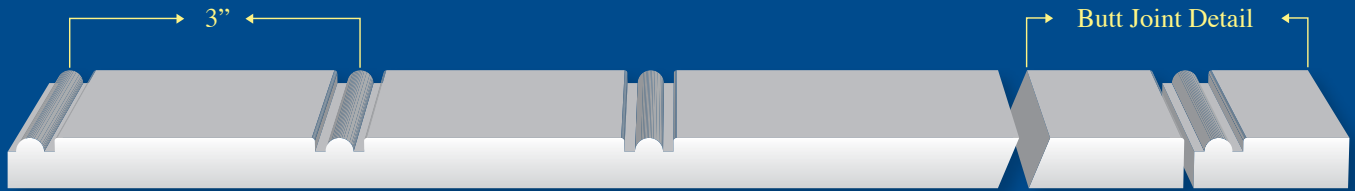
Substrates	Thickness	Dimensions			
MDF Premium grade medium density fiberboard (MDF) is a stable substrate material ideally suited for a wide range of interior applications	1/4"	4x8			
	3/8"	4x8	4x10	4x12	
	1/2"	4x8	4x10	4x12	4x16
MRI™ Nantucket® BeadBoard MRI™ interior products are manufactured from premium grade moisture resistant fiberboard. This substrate is well suited for low to medium humidity areas such as bathrooms and basements.	1/2"	4x8	4x10		4x16
MRX™ Nantucket® BeadBoard MRX™ exterior water resistant products are manufactured from treated exterior wood composites. MRX™ products are recommended for medium to high humidity locations. Exterior porch ceilings and soffits are locations where these products excel.	1/2"	4x8			4x16
PVC Nantucket® BeadBoard PVC interior and exterior premium grade polyvinyl chloride (PVC) sheets are suited for a wide range of interior and exterior locations.	1/2"	4x8			
EFP (Environmentally Friendly Products) Environmentally friendly products that conform to formaldehyde content and emissions standards set by the California Air Resources Board (CARB) Series 100; Interior grade MDF products that meet CARB Phase 1 compliance regulations Series 200 Interior grade MDF products that meet CARB Phase 2 compliance regulations	1/4"	4x8			
	3/8"	4x8	4x10		4x16
	1/2"	4x8	4x10		4x16

Sheet Products

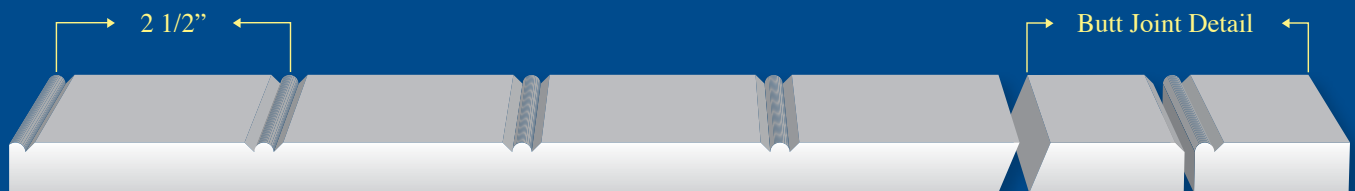
Regarding our beaded sheet product: if there is a building block for simple elegance, this is it. Nantucket®BeadBoard sheet products are based on the 4' wide, modern building standard, so are ideal to replace drywall, or ordinary paneling, and are also perfect to cover large areas quickly.

All of our sheet products can be cut with any of our distinctive bead profiles, and made from any of our wide range of stock substrates. Our sheet products are available either unfinished or primed.

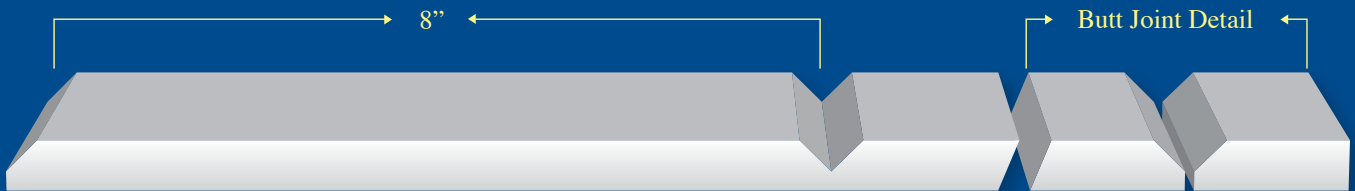
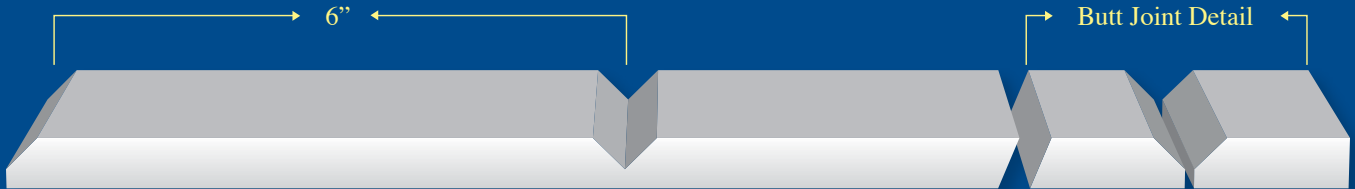
Standard Bead



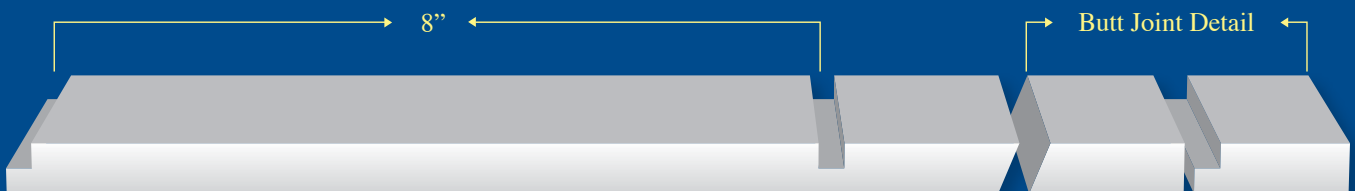
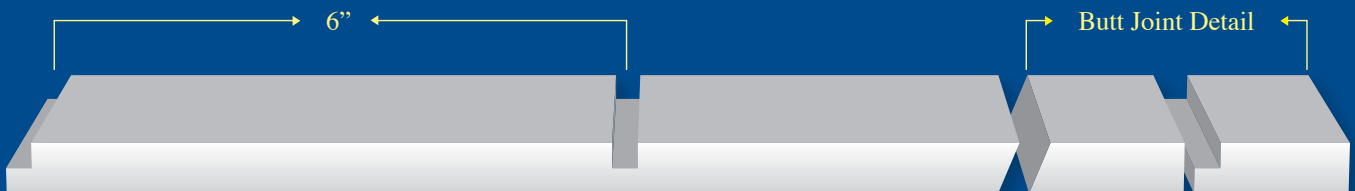
V-Bead



V-Groove



Channel Bead



Mini V-Groove



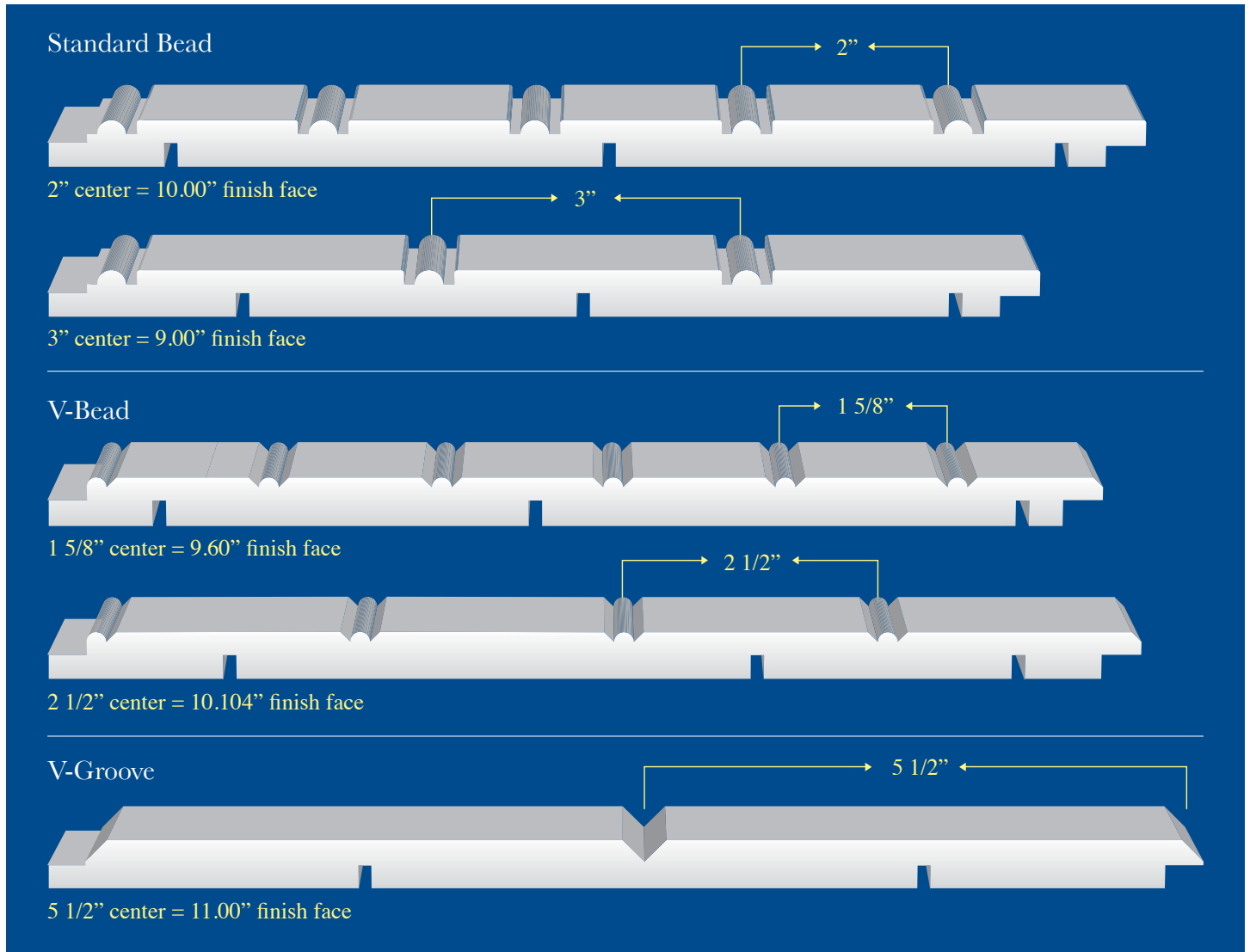
Sheet Product Dimensions

Substrates	Available	Dimensions			
MDF	1/4"	4x8			
	3/8"	4x8	4x10	4x12	
	1/2"	4x8	4x10	4x12	4x16
MRI™	1/2"	4x8	4x10		4x16
MRX™	1/2"	4x8			4x16
PVC	1/2"	4x8			
EFP	1/4"	4x8			
	3/8"	4x8	4x10		
	1/2"	4x8	4x10		4x16

Strip Products

Another elegant solution from Nantucket® BeadBoard, our strip products dramatically increase your building options, simply by giving you another dimension in beadboard. Manufactured with 1/2" thick material, from 9" to 11" wide, in a variety of lengths, our shiplap strip products are perfect for a wide range of projects, especially remodeling and ceiling applications.

All of our strip products can be ordered with any of the distinctive bead profiles shown, and made from any of our wide range of stock substrates. Our strip products are available either unfinished or primed.



Strip Product Dimensions.

Substrates	Available	Strip Length			
MDF	1/2"	8	10	12	16
MRI™	1/2"	8	10		16
MRX	1/2"	8			16
EFP	1/2"	8	10		16

Custom Orders

At Nantucket® BeadBoard, we're determined to find a solution for every customer's vision.

If what we have in stock isn't exactly what your project requires, Nantucket® Beadboard produces a wide variety of custom products. We have no minimum order requirements and will manufacture single sheets to multiple truckload orders. Finally, if what you see here doesn't perfectly suit your project, contact us directly and we may be able to custom make sheet and shiplap strip products for you."

Policy

To place an order for custom products, a written description must be faxed or emailed to our offices for quotation. This would include detailed information on the choice and thickness of substrate material, sheet or strip product, profile(s) desired (stock, special order, or custom), dimensions between centers, quantity of pieces required, etc. A quote will be prepared and sent for customer approval. Signed customer approval is required on all custom orders prior to production.

Charges

Custom Order Products may be subject to charges for tooling, setup, special substrates, etc. All applicable charges will be indicated on a Customer Order Acknowledgement.

Stock Profiles

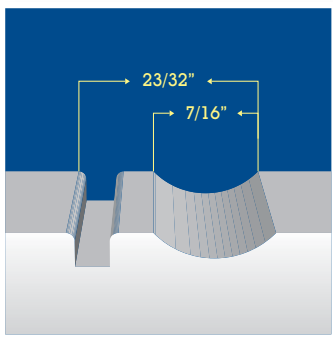
All stock profile patterns can be configured to a customer's specification, changing dimensions between centers, etc.

Special Order Profiles

We offer custom product options to be produced without incurring tooling charges associated with Custom Profiles.

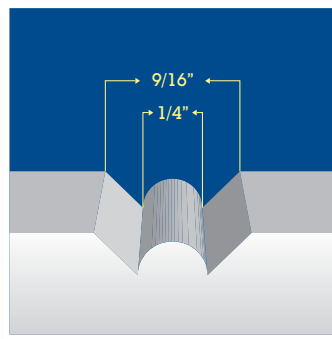
Custom Profiles

Profiles can be produced to a customer's dimensioned drawing. Convey drawings via fax or email to our plant at 603.330.0770, or mail@beadboard.com. Drawings in .dwg or .dxf format insure the most accurate reproduction. A profile drawing will be produced that customers must approve as part of their Order Acknowledgement prior to production.



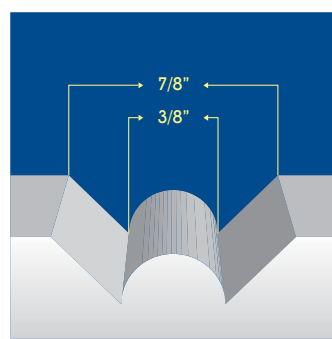
Cove Bead

Available in sheets and strips.



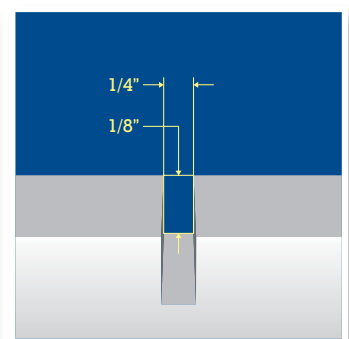
Large V-Bead

Available 4 x 8', 10', 12' sheets only.



Jumbo V-Bead

Available 4 x 8', 10', 12' sheets only.



1/8 x 1/4 Channel Bead

Available in sheets only.

Custom Order Substrates

If the substrates we have in stock aren't exactly what your project requires, take a look at the custom order substrate materials we can use to create exactly the beadboard products you need.



Fire Rated

Nantucket® BeadBoard FR™ products are manufactured from premium grade fire resistant fiberboard. FR™ products suit commercial projects where fire rated material has been specified, and are ideal for a variety of applications, including ceilings, wainscot, partition walls, elevators and store fronts.

A wide range of size and thickness options are offered, contact us directly for availability.

Stain Grade

Natural and stain-grade products (NSG™) from Nantucket BeadBoard are manufactured using birch, maple and oak veneers, with either mdf or veneer cores. Additional species are available.

A wide range of size and thickness options are offered, contact us directly for availability.

*Nantucket®BeadBoard NSG™ can also be ordered as Series 100 & 200 class products

X-G Sheets (cross grain)

With X-G Sheets the beading runs across the short dimension of a sheet. This can be extremely useful in cabinetry, furniture, wainscot and store fixture work. Most of our Stock and Special Order profiles are available as X-G (cross grain). Contact Nantucket BeadBoard to verify your core, thickness, and profile choice, is X-G compatible.

Available 8x4, 10x4, 12x4

Custom Substrates

If your application requires a substrate not included in our Stock or Custom sections contact Nantucket BeadBoard directly. We will make every attempt to produce a product to your exact specifications.

Packaging Information

All orders are packaged with full top, bottom, and side covers. LTL (less than truckload) orders receive additional crating, as well as skids to accommodate transfers between trucks and allow for loading and unloading in box vans. These measures insure that your order arrives in excellent condition.

Sheet & strip products are sold in any quantity

Standard Unit Packaging for dealers & distributors

Sheet Sizes		4 x 8'	4 x 10'	4 x 12'	4 x 16'
MDF	1/4"	60pcs.			
	3/8"	60pcs.	45pcs.	45pcs.	
	1/2"	45pcs.	45pcs.	30pcs.	30pcs.
MRI™	1/2"	45pcs.	45pcs.		30pcs.
MRX™	1/2"	45pcs.			30pcs.
SERIES 100	1/4"	60pcs.			
	3/8"	60pcs.			30pcs.
	1/2"	45pcs.	45pcs.		30pcs.
SERIES 200	1/4"	60pcs.			
	3/8"	60pcs.	45pcs.		30pcs.
	1/2"	45pcs.	45pcs.		30pcs.
PVC	1/2"	40pcs.			

All Strip Products are packaged in 100 pc. units

Shipping Information & Options

Our staff works with each of our customers to find the most economical shipping options available for domestic or international shipping.

Warranty Information

Request specific warranty information via email at mail@beadboard.com, or by download through our website at www.beadboard.com

Installation

Installation instructions are available for download through our website at www.beadboard.com, or if you prefer email us at mail@beadboard.com and request them.

Specification Download Info

Architectural Specifications are available for download at our website www.beadboard.com, or through www.arcata.com







The Nantucket Beadboard Company Inc

109 Chestnut Hill Road
Rochester, NH 03867

Office: 603 330 1070

Fax: 603 330 0770

mail@beadboard.com

www.beadboard.com